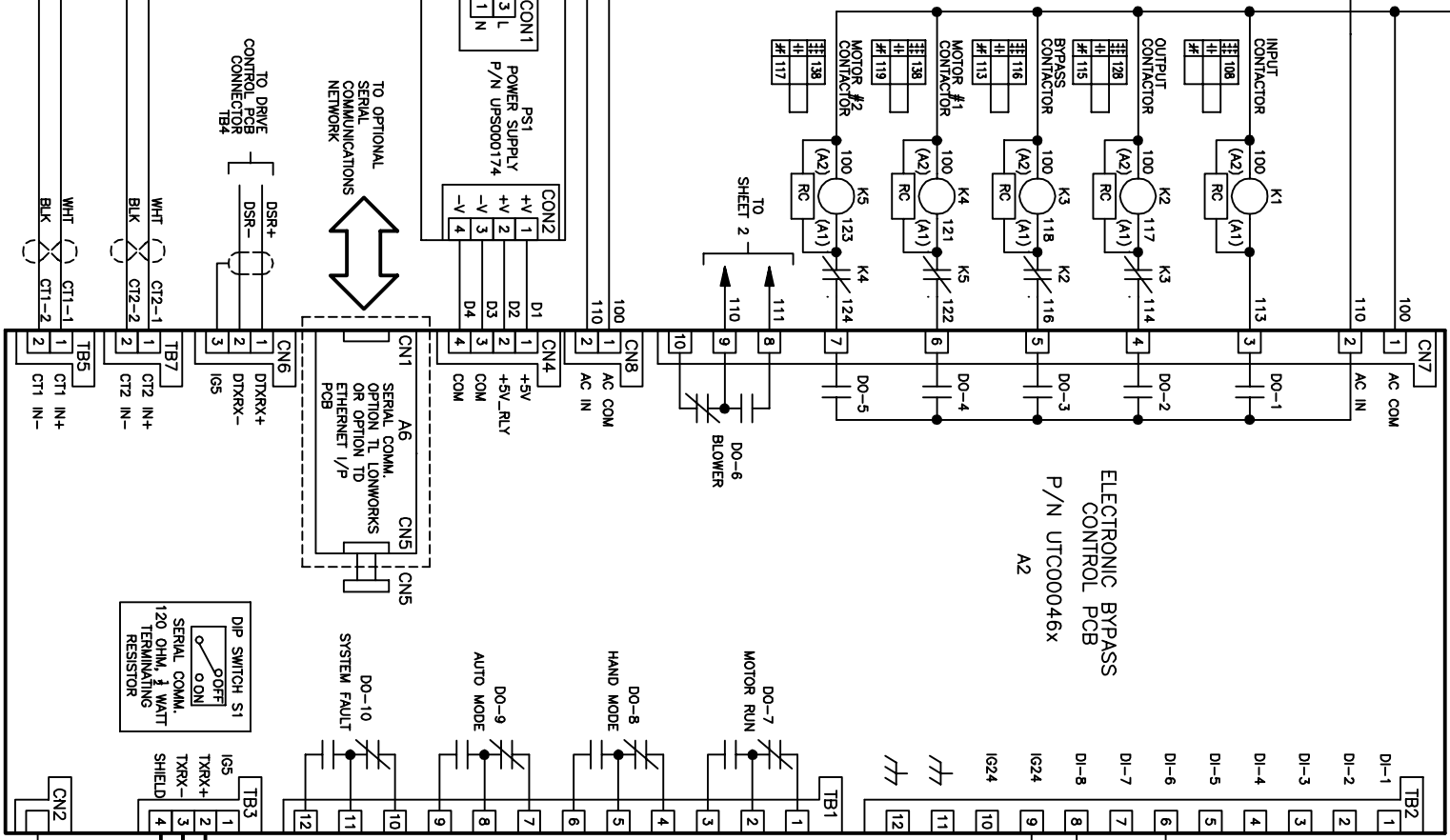
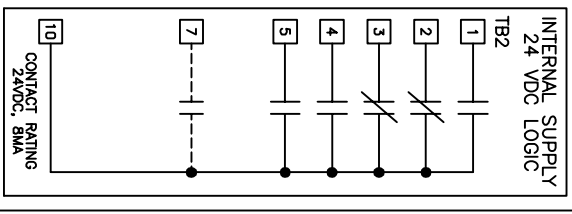


CONTROL TRANSFORMER PRIMARY CONNECTIONS

INPUT VOLTS	TERMINALS	JUMPER LOCATION
208	(H1) (H2)	NONE
460/490	(H1) (H4) (H2) TO (H3)	



REVISIONS

REV.	DESCRIPTION	ECO #	DRAWN BY	DATE
03	CHANGE REF NUMBERS 101-141 TO 201-241 ON PAGE 2	6330	DJP	6/12/15
02	ADDED DASHED LINE AROUND AB	4453	K. MALUSIC	8/13/13
01	CHANGED WIRE NUMBERS	4315	K. MALUSIC	7/1/13

YASKAWA

THIS DOCUMENT AND INFORMATION CONTAINED HEREIN ARE CONFIDENTIAL AND CAN NOT BE COPIED OR DISCLOSED IN WHOLE OR IN PART WITHOUT THE EXPRESS WRITTEN CONSENT OF YASKAWA AMERICA INC.

DATE	BY	TITLE
4/23/13	K. MALUSIC	SCHEMATIC DIAGRAM BYPASS
4/23/13	D.R. CMELEK	Z1000 ELECTRONIC BYPASS
4/23/13	K. FLIERL	2-MTR OR OPTION PY

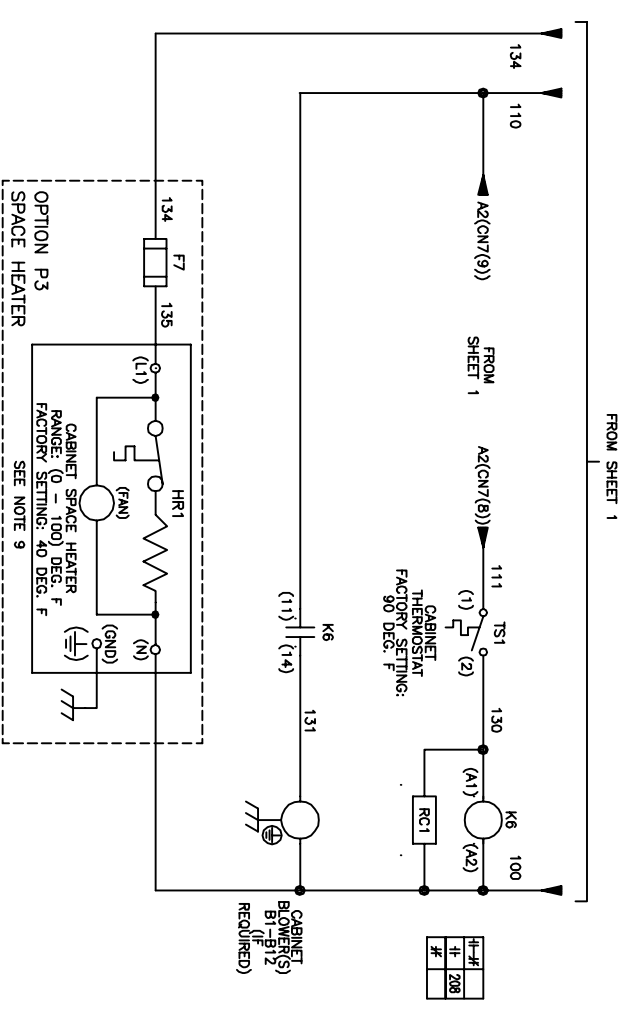
DATE: 4/23/13
 DRAWN BY: D.R. CMELEK
 CHECKED BY: K. FLIERL
 DATE: 4/23/13
 DRAWN BY: D.R. CMELEK
 CHECKED BY: K. FLIERL
 DATE: 4/23/13
 DRAWN BY: D.R. CMELEK
 CHECKED BY: K. FLIERL

RS485 SERIAL COMMUNICATION SELECTIONS AVAILABLE:
 1. MODBUS
 2. N2 / METASYS
 3. FAN / PROSEE
 4. BACKNET (FACTORY SETTING)

HQA OPERATOR PART NUMBER JVP-185

* - INDICATES COMPONENTS NOT SUPPLIED BY YASKAWA.
 --- INDICATES CUSTOMER WIRING.
 --- CONNECTED TO THE CABINET OR PANEL.
 --- SEE SHEET 2 FOR NOTES.

- NOTES:
1. CUSTOMER TO CONNECT THE CABINET GROUND LUGS TO EARTH GROUND AND UTILITY GROUND.
 2. CONDUIT FITTINGS/HUBS SHALL COMPLY WITH THE 'STANDARD FOR CONDUIT, TUBING, AND CABLE FITTINGS, UL 514B', OR CONDUIT FITTINGS HAVING THE SAME ENVIRONMENTAL RATING AS THE ENCLOSURE SHALL BE USED.
 3. INSULATED TWISTED SHIELDED WIRE IS REQUIRED. SHIELD TO CONNECT TO PROPER TERMINAL AS SHOWN. CONNECT THE SHIELD ONLY AT THIS END. STUB AND ISOLATE THE OTHER END. DO NOT RUN THESE WIRES IN THE SAME CONDUIT AS THE AC POWER AND THE AC CONTROL WIRES.
 4. WITH A CONTROL TRANSFORMER, T1, POWER RATING 350VA OR GREATER, SECONDARY FUSE F6 IS ADDED.
 5. CHANGING Z1-01 TO "1" WILL PROGRAM THE DRIVE AND BYPASS PARAMETERS TO THEIR FACTORY DEFAULT SETTINGS.
 6. SET Z1-11 TO 4 AND Z2-06 TO 27.
 7. FOR 208VAC APPLICATIONS, SET E1-01 TO 208, AND SET E1-05 TO 208.
 8. THE MOTOR OVERLOAD RELAY IS FACTORY SET FOR MANUAL RESET. CUSTOMER TO ADJUST THE MOTOR OVERLOAD RELAY TRIP SETTING FOR THE ACTUAL AC MOTOR'S FULL LOAD AMPS.
 9. CUSTOMER TO ADJUST THE THERMOSTAT ON THE SPACE HEATER HR1 FOR THE MINIMUM DESIRED TEMPERATURE INSIDE THE DRIVE CABINET. THIS SET TEMPERATURE IS NORMALLY SELECTED TO BE SLIGHTLY HIGHER THAN THE MINIMUM AMBIENT TEMPERATURE OF THE AIR SURROUNDING THE CABINET. AND IS THE TEMPERATURE AT WHICH THE SPACE HEATER HR1 WILL SHUT OFF.



201

202

203

204

205

206

207

208

209

210

211

212

213

214

215

216

217

218

219

220

221

222

223

224

225

226

227

228

229

230

231

232

233

234

235

236

237

238

239

240

241

YASKAWA

THIS DOCUMENT AND INFORMATION CONTAINED HEREIN ARE CONFIDENTIAL AND CANNOT BE COPIED OR DISCLOSED IN WHOLE OR IN PART WITHOUT THE EXPRESS WRITTEN CONSENT OF YASKAWA AMERICA INC.

DESIGNED BY	K. MALUSIC	DATE	4/23/13
DESIGNED	D. CMEIAK	DATE	4/23/13
APPROVED BY	K. FLIERL	DATE	4/23/13
ORIGINAL DESIGNER	D.R. CMEIAK	DATE	4/23/13

TITLE	SCHEMATIC DIAGRAM
SIZE	D
REVISION	03
DRAWING #	DS.Z1B3.12
PAGE	2 of 2